

# SMART VALVE SVM-21

Smart M-Bus Valve (Threaded)

Revolutionizing Flow



SVM-21 smart valves are battery operated open/close valves for remote disconnection by stopping flow, operating on M-Bus protocol. It comes with software for monitoring & control with error reporting functions and an IP68 protection.

The valve size ranges from DN15 to DN40 and is compatible with all M-Bus masters.

INTEGRATED  
SOFTWARE  
MONITORING



M-BUS  
COMMUNICATION



IP68 PROTECTION



12 YEARS  
BATTERY

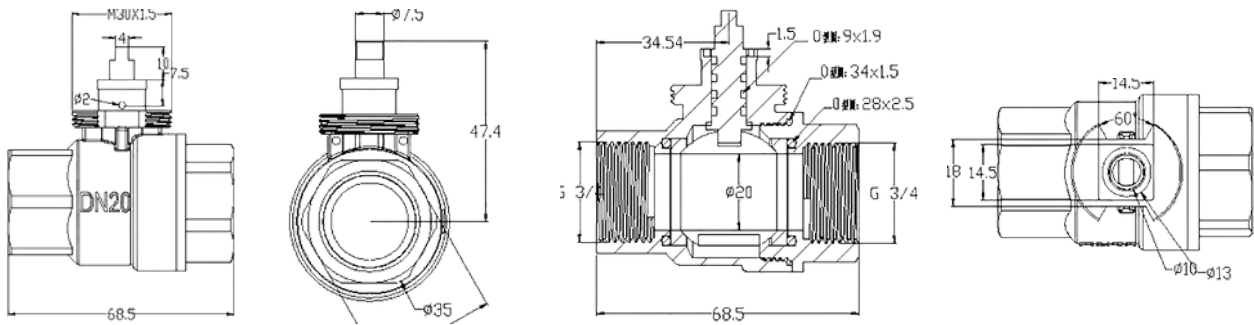


FEATURES

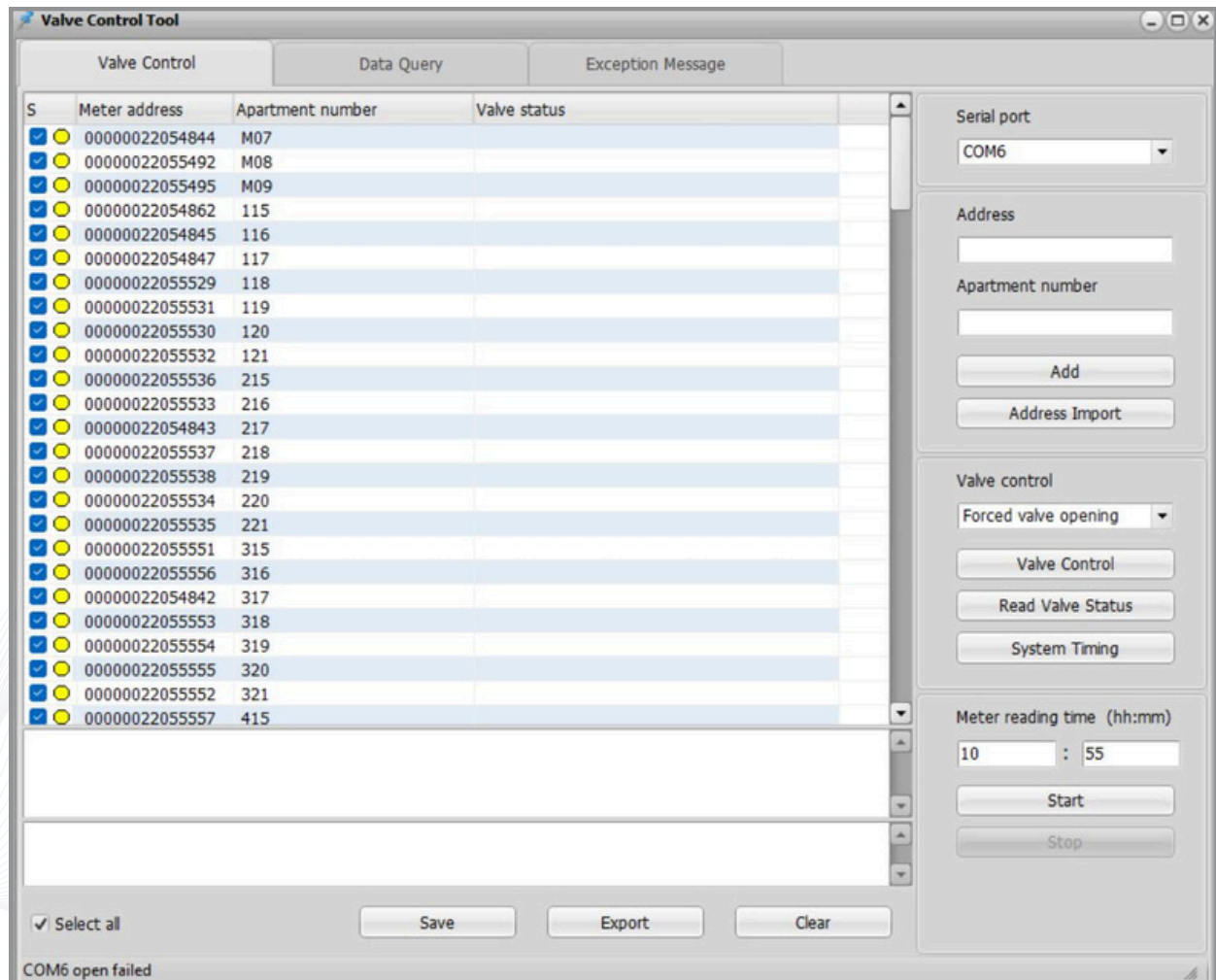
**TECHNICAL DATA**

<b>Nominal Diameter</b>	mm	DN15 to DN40
<b>Ambient Temperature</b>	°C	-25 to 65
<b>Operating Temperature</b>	°C	4 - 90°C(lower/higher temperature on demand)
<b>Pressure Rating</b>	Bar	PN 16(standard)/PN 20 and PN 25(optional)
<b>Protection</b>	-	IP67
<b>Communication</b>	-	Wired M-Bus
<b>Material of Construction (MOC)</b>	-	Brass
<b>Power Supply</b>	-	Battery ; lifetime up-to 12 years
<b>Mbus Cable Length</b>	-	1m
<b>Data Read Option</b>	-	Valve OPEN/CLOSE Command and Errors [Reporting errors : Valve operation error & M-Bus communication error]
<b>Data Write Option</b>	-	OPEN/CLOSE Command

**DIMENSIONS**



**SOFTWARE INTERFACE**



SVM-21 is a registered trademark of Kimans Metering. Due to continuous R&D, product improvements and enhancements, Kimans Metering reserves the right to change product or system specifications without notice, except to the extent an outstanding contractual obligation exists. © 2024 Kimans Metering. All rights reserved.

[www.kimans.com](http://www.kimans.com)