

SMART VALVE SVM-21E

Smart M-Bus Valve (Threaded)

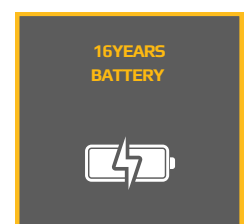
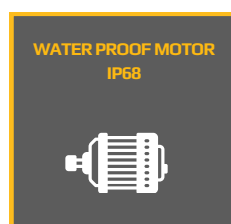
Revolutionizing Flow



The SVM-21 smart valves are battery-powered open/close valves designed for remote flow disconnection and operate using the M-Bus protocol. They feature a manual override isolation function, integrated software for monitoring, control, and error reporting, and are encased in an IP68-rated protective housing for durability.

The upgraded SVM version is specifically tailored for chilled water applications, where high levels of condensation and moisture are common. It is equipped with an IP68-rated motor and additional sealing mechanisms to ensure reliable performance even in high-condensation environments or when submerged.

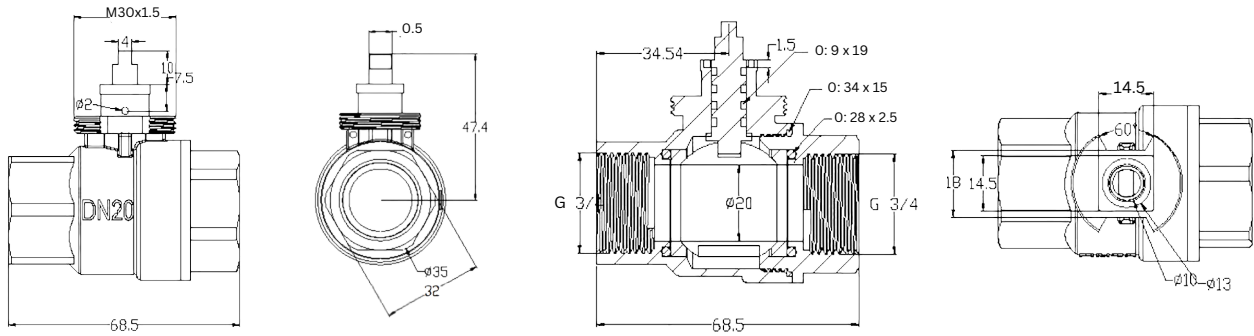
These valves are available in sizes ranging from DN15 to DN40 and are fully compatible with all M-Bus master systems.



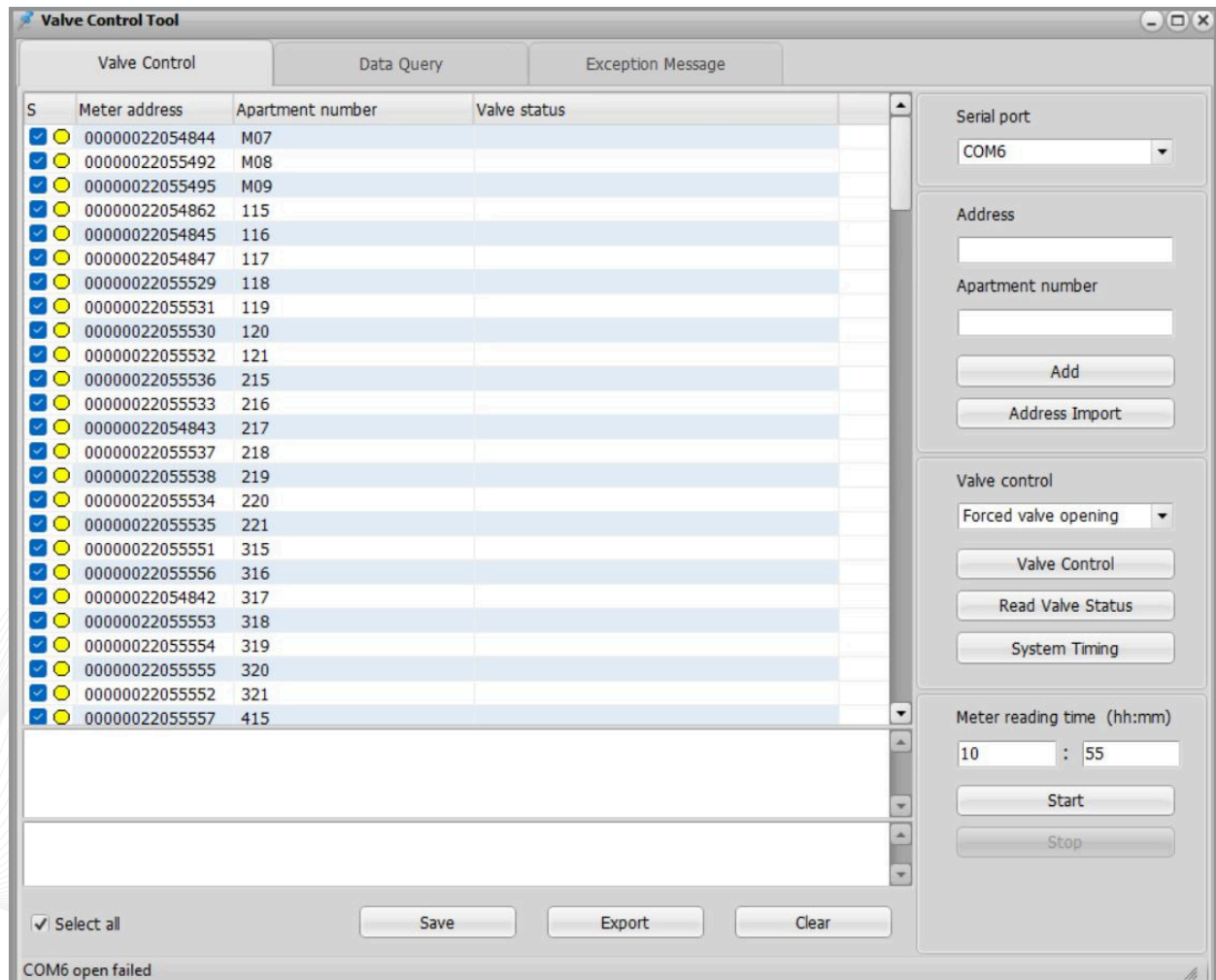
TECHNICAL DATA

Nominal Diameter	mm	DN15 to DN40
Ambient Temperature	°C	-25 to 65
Operating Temperature	°C	4 - 90°C(lower/higher temperature on demand)
Pressure Rating	Bar	PN 16(standard)/PN 20 and PN 25(optional)
Protection	-	IP68
Communication	-	Wired M-Bus
Material of Construction (MOC)	-	Brass
Power Supply	-	Battery ; lifetime up-to 16 years
Mbus Cable Length	-	1m
Data Read Option	-	Valve OPEN/CLOSE Command and Errors [Reporting errors : Valve operation error & M-Bus communication error]
Data Write Option	-	OPEN/CLOSE Command

DIMENSIONS



SOFTWARE INTERFACE



SVM-21 is a registered trademark of Kimans Metering. Due to continuous R&D, product improvements and enhancements, Kimans Metering reserves the right to change product or system specifications without notice, except to the extent an outstanding contractual obligation exists. © 2024 Kimans Metering. All rights reserved.

www.kimans.com