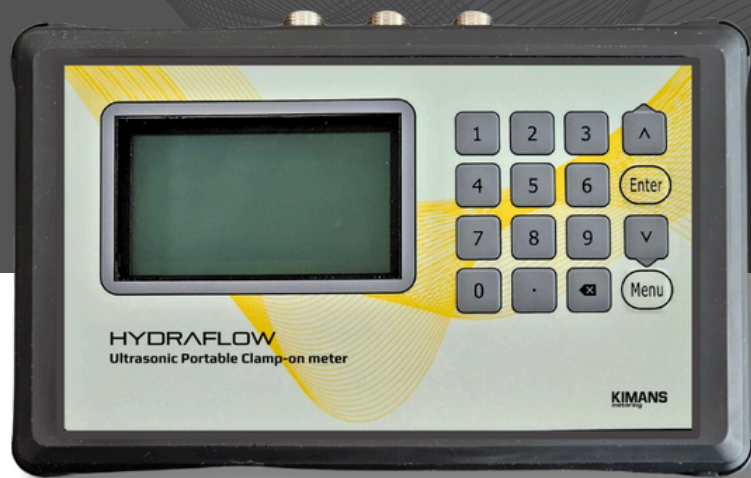


# HYDRAFLOW-P

## Ultrasonic Clamp-on Flow/BTU Meter

Revolutionizing Flow



HYDRAFLOW portable ultrasonic clamp-on flow and BTU meter is the perfect solution for measuring fluid flow in a wide range of industrial applications. Our ultrasonic flow meter features state-of-the-art technology and is designed to provide highly precise and reliable flow measurements, even in challenging environments.

**DATA LOGGING**

**ENERGY VERSION OPTION**

**IP68 PROTECTION**

**HIGH ACCURACY**

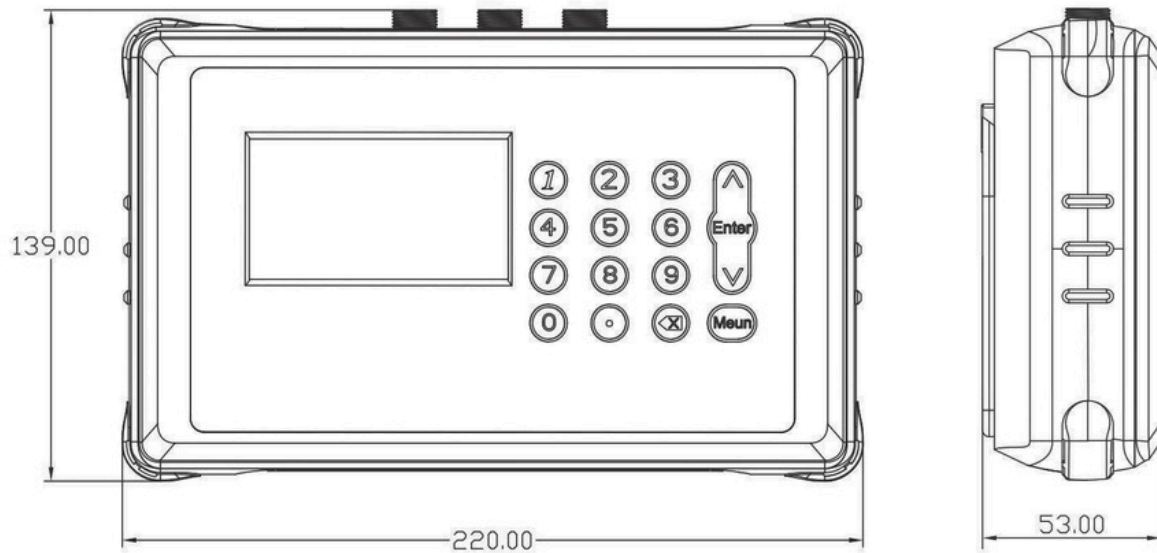
**FEATURES**

**TECHNICAL DATA**

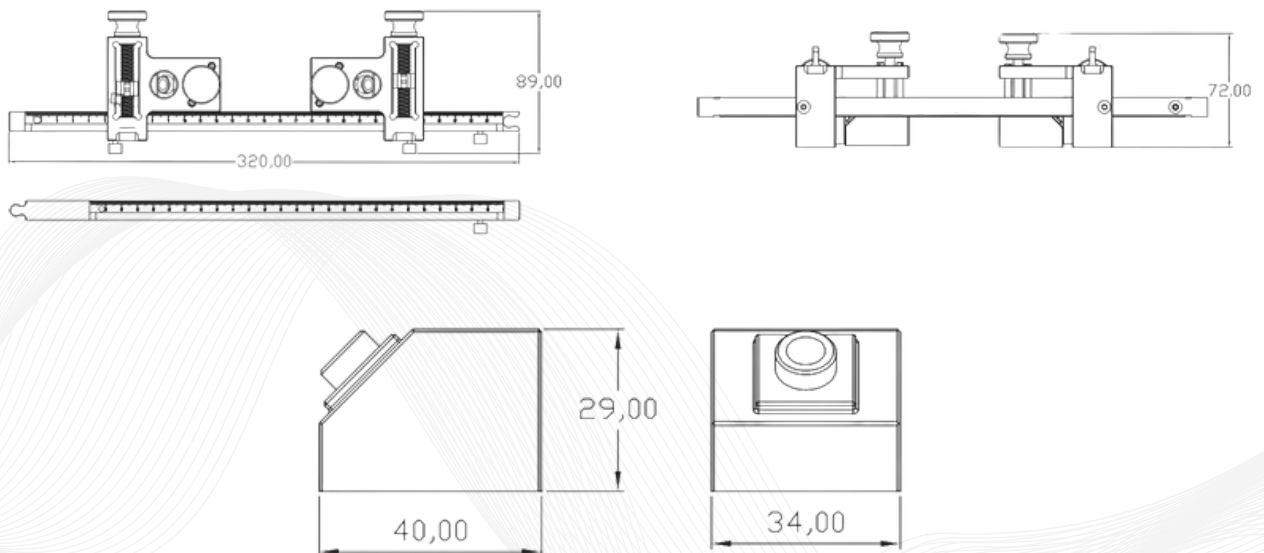
<b>Pipe range</b>	mm	DN25 to DN1200
<b>Flow range</b>	m/s	± 0.03 ft/s to ±40 ft/s(±0.01m/s to ±12m/s)
<b>Accuracy</b>	%	±1 of reading
<b>Repeatability</b>	%	0.2 of reading
<b>Inputs</b>	%	2 x Temp. PT1000 RTD(energy version only)
<b>Transmitter</b>	-	Rugged protected case - IP65
<b>Transducer</b>	-	IP68 encapsulated design double shielded transducer cable
<b>Cable length</b>	m	Up to 30 (5m. standard)
<b>Power Supply</b>	-	Rechargeable Lithium battery, 3000mAh for up to 16 hours of continuous operation
<b>Temperature</b>	°C	Transmitter: -40 to 60 Transducer: -40 to 80 (standard), -40 to 130 ( high temp. version)
<b>Outputs</b>	-	Analog output: 4 to 20mA, max load 750Ω
<b>Communication</b>	-	Modbus RS485
<b>Display</b>	-	240 * 128 back lit LCD
<b>Humidity</b>	-	Up to 99% RH, non-condensing
<b>Datalogger</b>	-	16 GB SD card
<b>Pipe material</b>	-	Any sonic conducting material (CS, SS, PVC, HDPE, GRE, GRP, etc)
<b>Measurable fluids</b>	-	Any liquid with less than 15% solid content

**DIMENSIONS**

**TRANSMITTER**



**TRANSDUCERS & MOUNTING KIT**



**ORDERING CODE**

<b>HYDRAFLOW</b>	/	<b>UCMP</b>	/	<b>XX</b>	/	<b>XXX</b>	/	<b>XXX</b>	/	<b>X</b>
<b>TRANSMITTER</b>										
<b>UCMP</b> Ultrasonic Portable Flowmeter Flow range: ±0.09 ft/s to ±40 ft/s (±0.03m/s to ±12m/s) Display: 240*128 back lit LCD Power supply: Rechargeable Lithium Battery, 3000mAh for upto 16 hours of continuous operation										
<b>OUTPUTS</b>										
RTD input (Energy) *must select Code PT1000 or provide external temperature sensors				<b>RT</b>						
M-Bus				<b>MB</b>						
RS485				<b>RS</b>						
4-20mA				<b>C</b>						
<b>TYPE OF TRANSDUCER</b>										
Clamp-on, IP68. Operating temperature: -40°F to +176°F (-40°C to +80°C)						<b>D1</b>				
Clamp-on, IP68. Operating temperature: -40°F to + 266°F (-40°C to +130°C)						<b>D1U</b>				
<b>TRANSDUCER CABLE LENGTH</b>										
Standard length 16ft(5m), C2 transducer standard length 15ft(5m)								<b>05</b>		
Max Length to 328ft(100m)								<b>XXX</b>		
<b>TEMPERATURE SENSOR</b>										
PT1000 temperature sensor *must select code RT for RTD input									<b>PT1000</b>	

HYDRAFLOW is a registered trademark of Kimans Metering. Due to continuous R&D, product improvements and enhancements, Kimans Metering reserves the right to change product or system specifications without notice, except to the extent an outstanding contractual obligation exists. © 2024 Kimans Metering. All rights reserved.

[www.kimans.com](http://www.kimans.com)